



TSI & TSP

TECHNICAL SPECIFICATION

Tilt Switch Indicator & Probe

Alarm Indication and and Dual Contact Closure in a Single Device



Westec Instruments Tilt Switch Indicator provides status lights to user for both "Normal" and "Alarm" conditions. In addition, the TSI provides relay contact closures for auxiliary use.



APPLICATIONS



Tilt switch indicators and probes provide high and low level alarm for both dry solids and liquid applications.

The rugged, stainless steel probe is suspended vertically over a bin, belt, pile or tank and the encapsulated switch within the probe provides an open contact signal whenever the probe is pushed more than 15 degrees off vertical. Various extension options allow for better adaptation to all types of applications.



The include the wear extension for coarse materials, the cross and flat paddle extensions for low to medium density applications and the float extension for liquids.

The probes are available for low temperature applications of less than 190°F and high temperature application of less than 465°F.

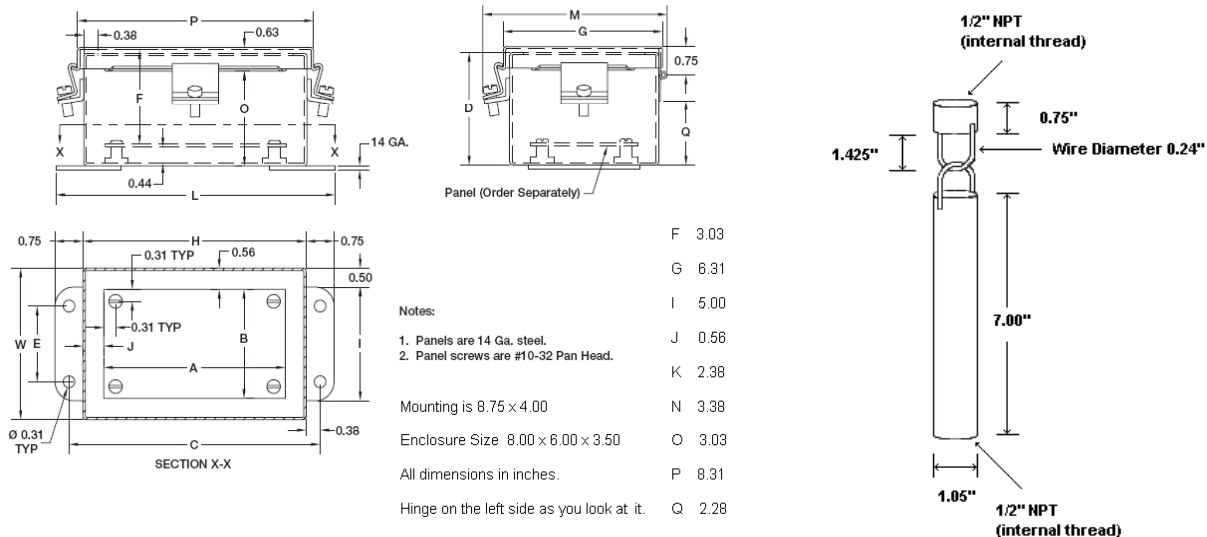


TECHNICAL SPECIFICATIONS

Power Supply:	105 to 125 VAC, 60 Hz @ 5VA 230 VAC, 60 Hz @10A
Input Type	Passive Device - Tilt Switch Probe Maximum external contact resistance is 75K ohms
Output Relay Type Relay Contact Rating	Relay contact of two (2) Form C 10A @ 240 VAC
Indication Lights	Door mounted "Normal" & "Alarm" PCB mounted LED (Relay Energized)

Temperature	Recommended: - 40 to +140 degree F (40 to +60C)
Indication Lights	Door mounted "Normal" & "Alarm" PCB mounted LED (Relay Energized)
Enclosure Rating	Nema 4 Water and Dust Tight
Tilt Switch Probe Material and Cable Lengths	Probe Housing: 304 Stainless Steel, 80 gauge Cable Specs: Low Temp - 20' SJO, Hi Temp - 5' Teflon

DIMENSIONAL DRAWING



INDUSTRIES SERVED AND COMMON APPLICATIONS

INDUSTRIES SERVED

Cement, Mining, Power, Milling, Food & Beverage, Chemical, etc.

COMMON APPLICATIONS

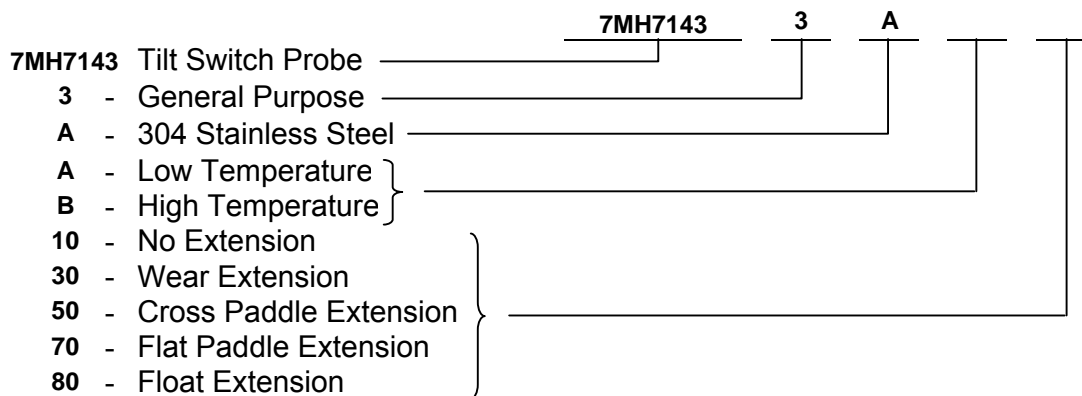
Bin Level Backup, Plugged Chute Detection, Aggregate Pile Feeder Shutoff, Feed Loss Detection

EQUIPMENT SELECTION - TILT SWITCH INDICATOR

115 VAC - 7MH7141-1BB

230 VAC - 7MH7141-2BB

EQUIPMENT SELECTION - TILT SWITCH PROBE



Your Representative:



6428 Ridglea Drive
Watauga, Texas 76148
Tel: 1-817-427-2060 / Fax: 1-817-427-2067
e-mail: wes@westecinstruments.com
www.westecinstruments.com